

# APP.R PRECISION BALANCES



release date 20-09-2013



Szalka ażurowa dla wag APP 10.R1 i APP 10.R2

## DATABASES IN R SERIES BALANCES

The information system is based on 5 databases, which allows for several users to work with several products databases, and the registered weighing results can be subject to further analysis.

The data is registered in 5 databases:

- users (up to 10 users),
- products (up to 1000 products),
- weighments (up to 1000 weighments),
- tares (up to 10 tares),
- ALIBI memory (up to 100 000 weighments).

## ALIBI memory

The used ALIBI memory is a data secure area and allows to record up to 100 000 weighment records. It ensures security of constant data register in the long time period.

The new precision **APP.R balances** are a continuation of the APP line and have 348x260 mm pan. They **feature a new, readable LCD display** which allows a clearer presentation of the weighing result. Besides, the display has a new text information line allowing to show additional messages and data, e.g. product name or tare value.

Additionally, the new R series balances by means of pictograms signal the activated working mode, connection with the Internet, the battery charge level, balance service functions. Also a number of displayed measuring units has been increased.

Every R series balance feature a magneto-electric measuring system and a possibility of internal adjustment (for R2 balances) as well as several communication interfaces: **2 x RS 232, type A USB, type B USB and optional WiFi**. The housing is made of plastic, and the pan is made of stainless steel.

The balances have a possibility to weigh products out of the pan (under hook weighing) - the load hangs under the pan. This is an alternative way of measuring non-standard dimensions and shapes products or products emitting electromagnetic field. This method is also used in case of density determination.

APP.R balances are also offered in a head on a 1 m cable version.

- Weighing
- Parts counting
- Checkweighing
- Percent setup
- Filling
- Summing function
- Statistics
- Density determination
- Animal weighing
- Caps lock of max indication
- Under-hook weighing

## Technical data:

	APP 10.R2 <b>M</b>	APP 25.R2 <b>M</b>	APP 30.R2 <b>M</b>	APP 35.R2 <b>M</b>	APP 6/35.R2 -
Max capacity	10 kg	25 kg	30 kg	35 kg	6 kg / 35 kg
Minimum load	0,5 g	5 g	5 g	5 g	5 g
Readability	0,01 g	0,1 g	0,1 g	0,1 g	1 / 5 g
Tare range	-10 kg	-25 kg	-30 kg	-35 kg	-35 kg
Repeatability *	0,01 g	0,1 g	0,1 g	0,1 g	1 / 5 g
Linearity	± 0,02 g	± 0,1 g	± 0,3 g	± 0,3 g	± 1 / 5 g
Pan size	348 × 260 mm				
Working temperature	+10° ÷ +40 °C				
Stabilization time	3 s	2,5 s	2,5 s	2,5 s	2,5 s
Sensitivity drift	2ppm/°C in temperature +10 ° ÷ +40 °C				
Interface	RS 232, USB-A, USB-B, WiFi - option				
Power supply**	12 ÷ 16 V DC / 250 mA (**)				
Adjustment/calibration	internal				
Display	LCD (backlit)				
Net weight/Gross weight	19,9 / 22,9 kg				
Packaging size	570 × 560 × 325 mm				

\* Repeatability is expressed as a standard deviation from 10 weighing cycles.

\*\* 250 mA for balances without WiFi module, 350 mA for balances with installed WiFi module

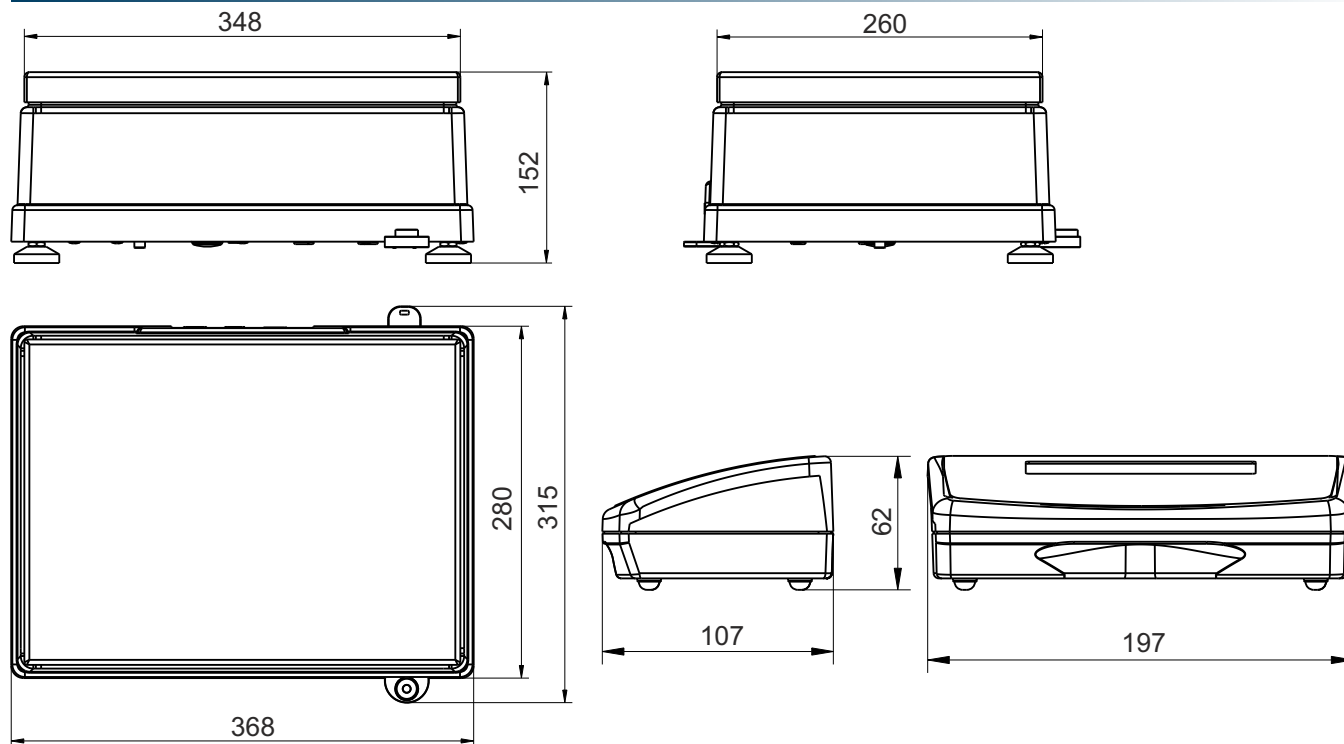
## Technical data:

	APP 10.R1	APP 25.R1	APP 30.R1	APP 35.R1	APP 6/35.R1	APP 50.R1
Max capacity	10 kg	25 kg	30 kg	35 kg	6 kg / 35 kg	50 kg
Minimum load	0,5 g	5 g	5 g	5 g	5 g	5 g
Readability	0,01 g	0,1 g	0,1 g	0,1 g	1 / 5 g	0,1 g
Tare range	-10 kg	-25 kg	-30 kg	-35 kg	-35 kg	-50 kg
Repeatability *	0,01 g	0,1 g	0,1 g	0,1 g	1 / 5 g	0,15 g
Linearity	± 0,02 g	± 0,1 g	± 0,3 g	± 0,3 g	± 1 / 5 g	± 0,5 g
Pan size	348 × 260 mm					
Working temperature	+10° ÷ +40 °C					
Stabilization time	3 s	2,5 s	2,5 s	2,5 s	2,5 s	2,5 s
Sensitivity drift	2ppm/°C in temperature +10 ° ÷ +40 °C					
Interface	RS 232, USB-A, USB-B, WiFi - option					
Power supply**	12 ÷ 16 V DC / 250 mA					
Adjustment/calibration	external					
Display	LCD (backlit)					
Net weight/Gross weight	13,5 / 16,5 kg					
Packaging size	570 × 560 × 325 mm					

\* Repeatability is expressed as a standard deviation from 10 weighing cycles.

\*\* 250 mA for balances without WiFi module, 350 mA for balances with installed WiFi module

## Dimensions:



## Accessories:

Kafka thermal printer	USB A- USB B cable (balance - computer, balance - PLC printer)
Impact printer Epson	Adjustment weight (R1 version)
"PW-WIN" computer software	Mass standard
"RAD-KEY" computer software	Power loop output AP2-1 (plastic housing)
Additional LCD display "WD-6"	Pillar for the indicator of APP balance
Power adapter with battery and charger ZR-02	Cable RS 232 (scale - Kafka printer) "P0136"
PC keyboard USB	Cable RS 232 (scale - computer) "P0108"
Bar code scanner	Cable RS 232 (scale, Epson, Citizen printer) "P0151"
External USB memory (FAT files format)	"Tare" or "Print" foot button