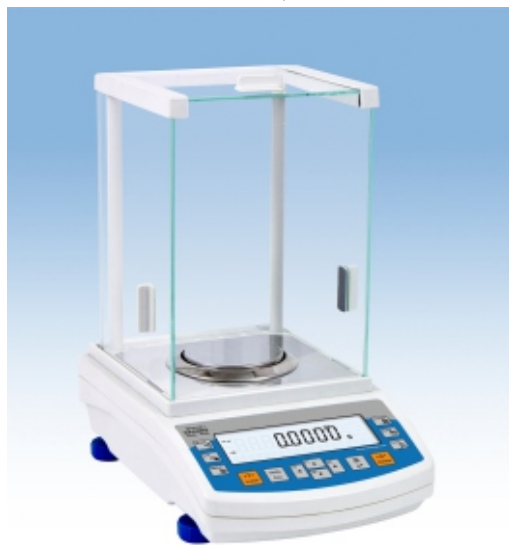


# AS.R PRECISION BALANCES



release date 04-11-2013



✓ Removable glass parts: side, top and back!

## Quick access to information

Direct access to functions and databases is possible from the level of keyboard.

**Database** – a direct access to databasis

**Function** - a direct access to the basic functions

**F1 to F4** – programmable function and navigation keys on the menu

## ALIBI memory

The used ALIBI memory is a data secure area and allows to record up to 100 000 weighing records. It ensures security of constant data register in the long time period.

The AS.R series represents a new standard level for analytical balances. They feature a **new, readable LCD display** which allows a clearer presentation of the weighing result. Besides, the display has a new text information line allowing to show additional messages and data, e.g. product name or tare value.

Additionally, the new R series balances by means of pictograms signal the activated working mode, connection with the Internet, the battery charge level, balance service functions. Also a number of displayed measuring units has been increased.

The balance precision and the measurement accuracy is assured by automatic internal adjustment, which takes into consideration temperature changes and time flow.

AS.R series balances feature several communication interfaces: **2 x RS 232, type A USB, type B USB and optional WiFi**. The housing is made of plastic, and the pan is made of stainless steel.

## DATABASES IN R SERIES BALANCES

In new AS.R series balances the information system is based on 5 databases, which allows for several users to work with several products databases, and the registered weighing results can be subject to further analysis.

### The data is registered in 5 databases:

- users (up to 10 users),
- products (up to 1000 products),
- weightments (up to 1000 weightments),
- tares (up to 10 tares),
- ALIBI memory (up to 100 000 weightments).

There is two directions **data exchange** within the system thanks to a quick USB interface. New balances allow to import and export databases using **USB pen drives**.

- Weighing
- Parts counting
- Checkweighing
- Percent setup
- Filling
- Summing function
- Statistics
- Density determination
- Animal weighing
- Caps lock of max indication

## Technical data:

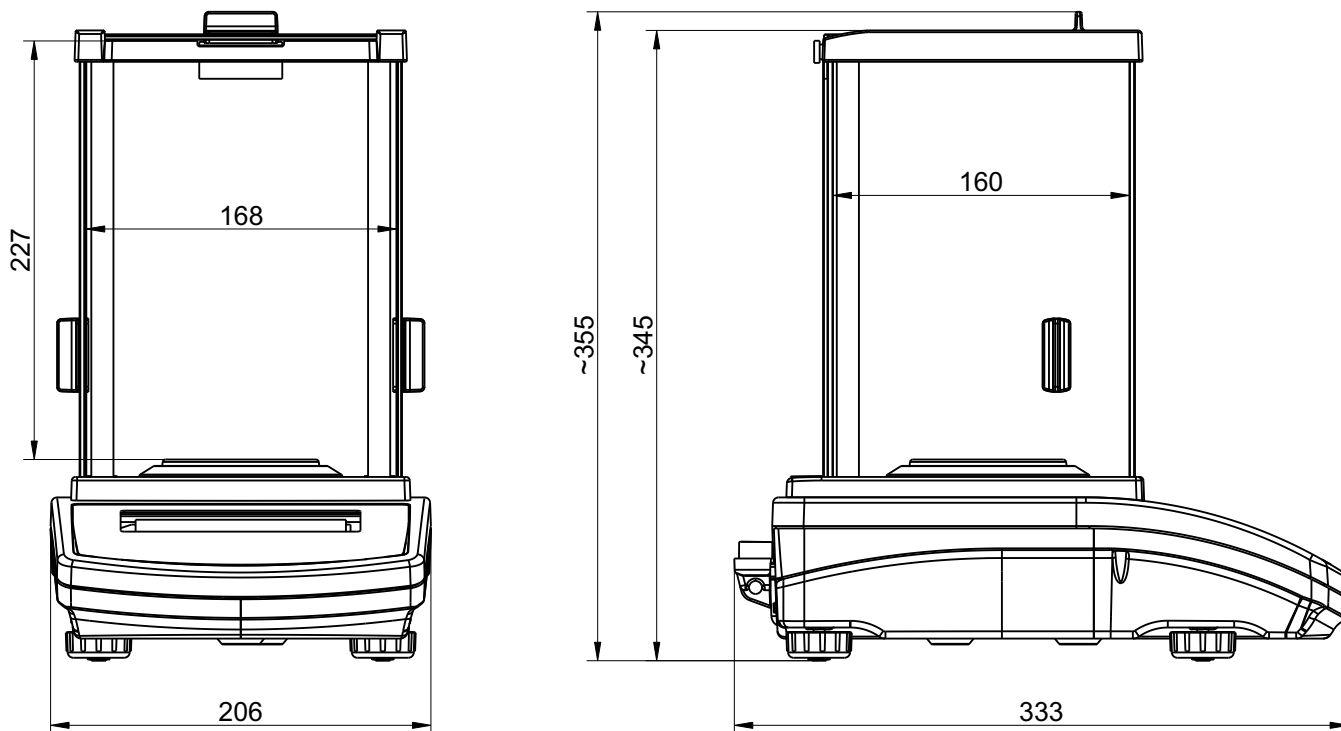
	AS 60/220.R2 <b>M</b>	AS 110.R2 <b>M</b>	AS 160.R2 <b>M</b>	AS 220.R2 <b>M</b>	AS 310.R2 <b>M</b>
Max capacity	60 g / 220 g	110 g	160 g	220 g	310 g
Minimum load	1 mg	10 mg	10 mg	10 mg	10 mg
Readability	0,01 mg / 0,1 mg	0,1 mg	0,1 mg	0,1 mg	0,1 mg
Tare range	-220 g	-110 g	-160 g	-220 g	-310 g
Repeatability *	0,03 mg / 0,1 mg	0,1 mg	0,1 mg	0,1 mg	0,1 mg (for 220 g) 0,2 mg (for 220g + 310g)
Linearity	± 0,07 mg / ±0,2 mg	± 0,2 mg	± 0,2 mg	± 0,2 mg	± 0,2 mg
Pan size	Ø 70 mm	Ø 85 mm	Ø 85 mm	Ø 85 mm	Ø 85 mm
Working temperature	+10° ÷ +40°C				
Relative air humidity **	40% ÷ 80%				
Stabilization time	6 s / 3,5 s	3,5 s			
Sensitivity drift	1 ppm/°C in temperature +10° ÷ +40°C				
Interface	2 x RS 232, USB-A, USB-B, WiFi - option				
Power supply***	12 ÷ 16 V DC / 2,1 A				
Adjustment/calibration	internal (automatic)				
Display	LCD (backlit)				
Net weight/Gross weight	5,6 kg / 7,7 kg	5,6 kg / 7,7 kg	5,6 kg / 7,7 kg	5,6 kg / 7,7 kg	5,6 kg / 7,7 kg
Packaging size	490×400×505 mm				

\* Repeatability is expressed as a standard deviation from 10 weighing cycles.

\*\* Non-condensing conditions

\*\*\* 250 mA for balances without WiFi module, 350 mA for balances with installed WiFi module

## Dimensions:



## Accessories:

Antivibration table SAL/STONE	Density determination kit
Rack for under hook weighing	Additional LCD display "WD-6"
Professional weighing table	Power adapter with battery and charger ZR-02
Kafka thermal printer	PC keyboard USB
Impact printer Epson	External USB memory (FAT files format)
Label printer Citizen	Mass standard
Printer USB PCL	Adjustment weight
Holders for glass vessels	USB A- USB B cable (balance - computer, balance - PLC printer)
"PW-WIN" computer software	Cable RS 232 (scale - Kafka printer) "P0136"
"RAD-KEY" computer software	Cable RS 232 (scale - computer) "P0108"
Antistatic ionizer DJ-02	Cable RS 232 (scale, Epson, Citizen printer) "P0151"
Bar code scanner	"Tare" or "Print" foot button
Bar code scanner USB HID	

### RADWAG Balances & Scales

26-600 Radom • 28 Bracka Street • POLAND • Phone: +48 48 3848800 • Fax: +48 48 3850010 • www.radwag.com • e-mail:export@radwag.com