

CSI-IP68



APPLICATION:

Multi-cell scales

CAPACITY RANGE:

750kg - 1000kg - 1500kg - 2000kg

MATERIAL:

Stainless steel

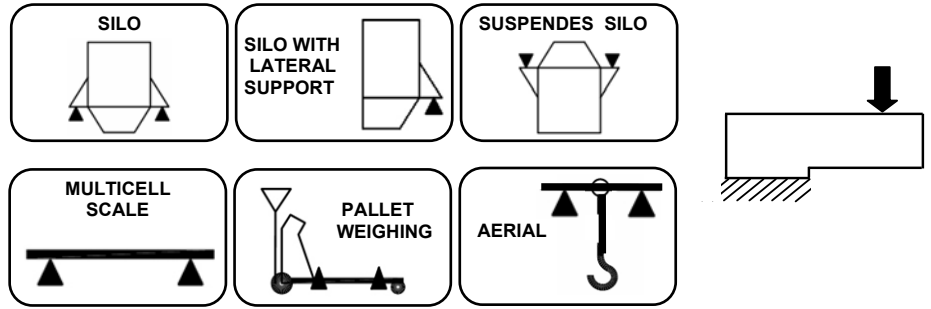
ENVIRONMENTAL PROTECTION:

IP68

APPROVALS:

CE 3000 Div - TC6177

OIML 3000 Div - R60/2000-NL 1-03.02



CHARACTERISTICS

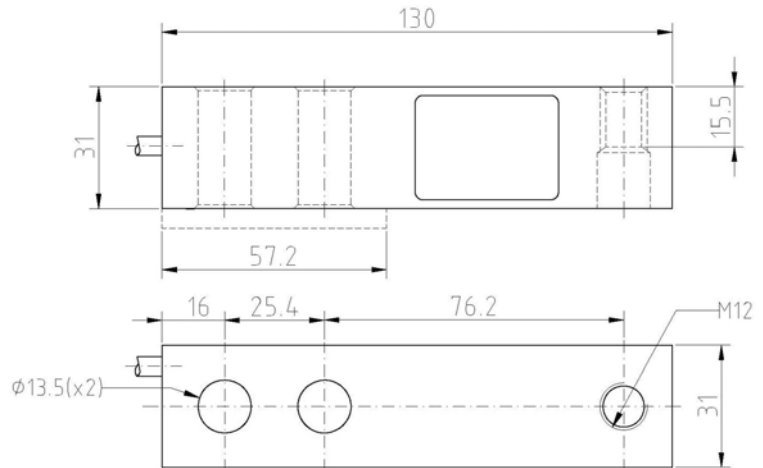
Construction using stainless steel.
The laser soldered closing protects from the typical environment in food and chemical industry..
Mounting compatibility.



TEFLÓN® protects all the internal cables

APPLICATIONS

CSI-IP68 model is manufactured to maintain its performance capabilities in the environmental conditions existing in industries, where tasks and cleaning demand a good environmental protection.
If the required capacities are under 750kg., select the CFI-IP68 model which is mechanically compatible and reaches from 50kg to 500kg capacity.



Dimensions in mm

OPTIONS

Length of the cable is optional.

Hostile environmental cable.

ATEX option

EC-Type examination certificate

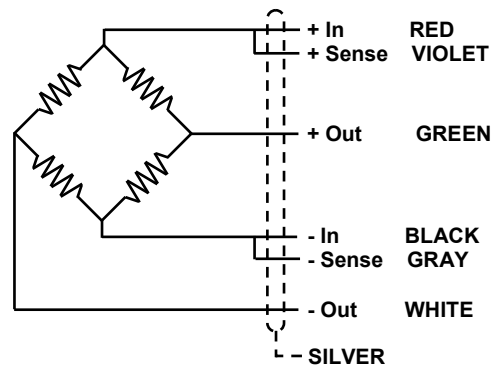
CEC 11 ATEX 040 X according directive 94/9/EC

Ex II 1G EExia IIC T6 (Ta2-0÷+40°C)
TX (Ta-20÷+65°C)

Ex II 1D tD A20 TX°C (Ta-20÷+40°C)
TX°C (Ta-20÷+65°C)

For more information look up the EC-type examination certificate, and documentation.

Consult for special requirements.



www.ascellsensor.com
info@ascellsensor.com

Tel: (+34) 93 776 60 89
Fax: (+34) 93 775 14 72

GENERAL TECHNICAL CHARACTERISTICS FOR $g = 9,8031 \text{ m/s}^2$

OIML Class	C3	UNITS
Divisions n_{LC}	3000	
Minimum Dead load E_{min}	0	kg
$Z = E_{max} / 2DR$	3000	
$Y = E_{max} / V_{min}$	10000	
Rated Capacity E_{max}	750 - 1000 - 1500 - 2000	kg
Rated Sensitivity C	$2 \pm 0,1 \%$	mV/V
Rated Input Voltage	10	V dc
Input Voltage Range	5...15	V ac/dc
Input Resistance R_{LC}	350 ± 3	Ω
Output Resistance	350 ± 3	Ω
Zero Balance	± 2	% Emax
Insulation Resistance at 50 V DC	> 5000	M Ω
Service Overload	> 150	% Emax
Overload Limit	> 300	% Emax
Temperature Range : Compensated	- 10 ... 40	$^{\circ}\text{C}$
: Operating	- 30 ... 85	$^{\circ}\text{C}$
: Storage	- 30 ... 90	$^{\circ}\text{C}$
Max. Nonlinearity	0,02	% Emax
Max. Hysteresis	0,02	% Emax
Max. No repeatability	0,01	% Emax
M Max. Creep in 4 hours	0,03	% Emax
Max. Zero Recovery Test in 1/2 hour	0,011	% Emax
Max Temperature effect : On Sensitivity	0,0013	% Emax / $^{\circ}\text{C}$
: On Zero	0,0014	% Emax / $^{\circ}\text{C}$
Weight	830	g
Cable Length	5	m
Environmental Protection	IP68 - DIN 40050 (100h 1m)	



Ref: 491216
Ref: 491214 (S. Steel)



Ref: 491100A
Ref: 491101A (S. Steel)



Ref: 491220
Ref: 491221 (S. Steel)



Ref: 491106
Ref: 491107 (S. Steel)



Ref: 491209



Ref: 491206



Ref: 491222
Ref: 491223 (S. Steel)

